

UNOBAT 62+ BATTEN SPORTS FLOOR SPECIFIER'S AND INSTALLATION INSTRUCTIONS

1. SPECIFIER'S INSTRUCTIONS

1.1 SYSTEM SPECIFICATION

INFORMATION

UNOBAT 62+ BATTEN SYSTEM

D 1.0	General information Junckers sports floors
D 8.1	Specifier's- and Installation Instructions

Junckers Unobat 62+ sports floor is based on 22 mm solid hardwood floor boards fastened to a subfloor system consisting of single layer engineered battens with pre-attached shock absorbing rubber pads.

The pre-attached pads snap-lock into either:

- a J-lock cradle, which serves as a durable stop block for flat subfloors.
- a J-Lock adjustable and locking wedge, used if the floor needs to be levelled. The J-lock wedge allows for the quick correction of uneven subfloors into flat, ideal playing surfaces. Levelling the floor is conducted without use of nails and tools.

Table 1

Packing bases fitting the adjustable J-lock Wedge are available in a variety of thicknesses (20, 30, 40, 50 mm) to easily increase the height of the floor system as needed. Use a maximum of 2 packing bases per wedge.

Batten distance: Choose between c/c 336 and 411 mm. The distance is determined on the basis of needed sports functional characteristics and/or strength. If the floor is used for basketball or retractable seating are to be installed in the sports hall, c/c 336 mm must always be used.

Battens along walls: To avoid deflection of the floor along walls, special battens (Gable Battens) 39x40 mm, used as starters, are included in the system. This batten type is supported by Junckers DuoWedge.

Construction height:

- When using Junckers J-Lock cradle for flat floors: 62 mm
- When using Junckers L-Lock adjustable Wedge for uneven floors: From 82 – 209 mm

Performance: The floor system is an area elastic sports floor with a high level of shock absorption and resilience. Very suitable for multifunctional sports halls, arenas and squash. Junckers Unobat 62+ is tested and approved according to the European Sports Norm EN 14904.

Step sound reduction by installation on heavy constructed horizontal divisions:

22 mm floor boards and UnoBat 62+ battens: 21 dB.

For general information about sound and practical guidelines on acoustics in floor constructions, see E 5.0.

Read all information: Please note that full documentation of this floor system comprises General information, Specifier's and Installation instructions, see table 1. By questions, please contact Junckers Technical Service.

1.2 FLOOR COMPONENTS - UNOBAT 62+ BATTEN SYSTEM

1. **Junckers 2-strip solid hardwood floor boards for sport**
 Thickness x width x length
 22 x 129 x 3700 mm

 Wood Species, grade and surface:
 See data sheet B 2.0
2. **Junckers J-Nails (Machine nail)**
 2,2 x 45 mm special developed J-nails with a high shearing- and pull out strength.
3. **Laminated battens**
 25,5 x 60 x 3600 mm with 12 mm pre-attached shock absorbing rubber pads.

Gable battens 39 x 40 mm

Batten distance:

c/c 336,4 mm (336)

c/c 411,1 mm (411)

Unobat 62+ battens are made of spruce with a moisture content of 8-10 %.

4. **Packings**
 J-Lock adjustable wedge.
 Alternative for flat subfloors is the J-Lock Cradle.
5. **SylvaThene moisture barrier**
 Min. 0,20 mm PE-foil.
6. **Expansion gap at the wall**
 1.5 mm per metre width on each side and 1 mm per metre length at each end, but both min. 30 mm. Is also required at fixed points, e.g. column.

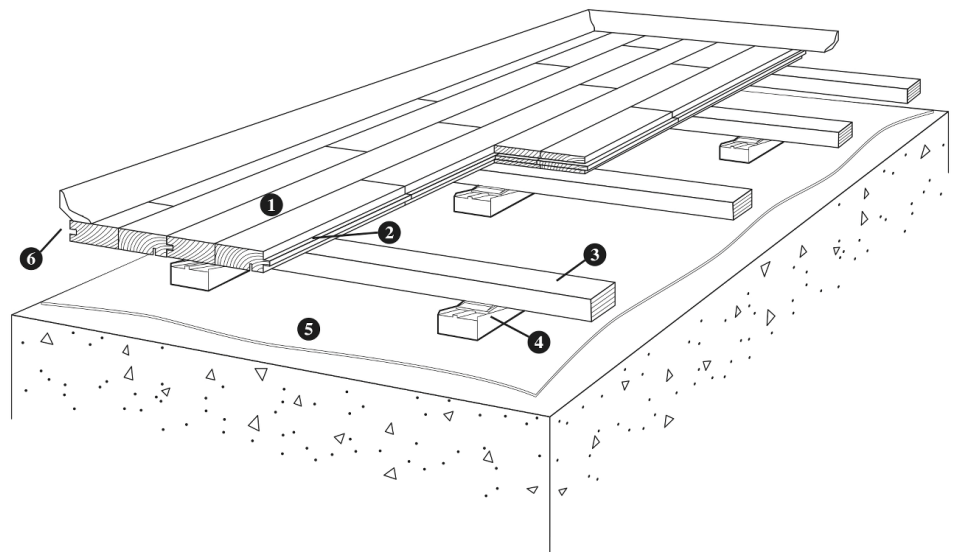


Fig. 1

1.3 LOAD BEARING STRENGTH

The System is designed to ensure good technical properties in relation to the expected loads in connection with sports activities. In order to prevent damaging deflections, a stop is built into the floor system. This is being activated at high loads. The stop has no function during normal sports use.

Bearing capacity at point loads

The Unobat 62+ batten system is tested and approved for below mentioned maximum point loads, in relation to load area and batten centres c/c 411 og 336 mm.

Table 2 shows the maximum load-bearing capacity from point loads at the batten system's recommended batten distances and at given loading areas.

Table 2	
Batten distance c/c 336 mm:	Batten distance c/c 411 mm:
Diameter 25 mm: 4,5 kN (approx. 450 kg)	Diameter 25 mm: 4,0 kN (approx. 400 kg)
100x100 mm: 6,0 kN (ca. 600 kg)	100x100 mm: 5,5 kN (ca. 550 kg)

Table 3 shows use of the floor system in relation to the load classes in EN 1991-1-1, corresponding to load bearing requirements and the floor having acceptable stiffness. Furthermore the applicability of the floor system in relation to wheel load is noted.

For further definition of load classes and types, see **General Information Junckers sports floors D 1.0 - Stiffness and loadbearing strength**.

Table 3	Loading types	
Loading category	Area- and Point load	Wheel load
C4: Assembly halls for physical activity, e.g. gyms/theatres	Approved*	Approved**
C5: Assembly halls which can be crowded, e.g. sports halls incl. stands	Approved*	Approved**

* Point load area min. 200 x 200 mm / ** Wheel loads, see D 1.0 - Table 2

1.4 FLATNESS OF THE SUBFLOOR

Battens must be straight with no distortion.

After installation the top surface of the battens may deviate a maximum of 2 mm from flat level under a 1.5 m straight edge (UK: 3 mm under a 2 m straight edge), both across and along the individual battens.

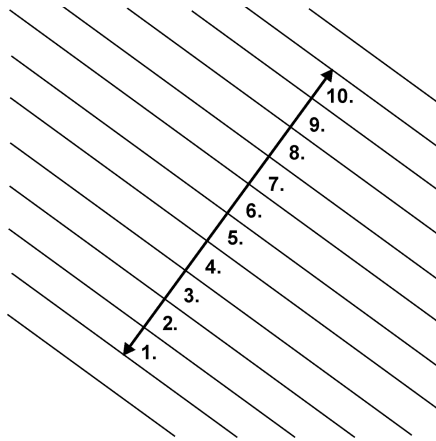


Fig. 2

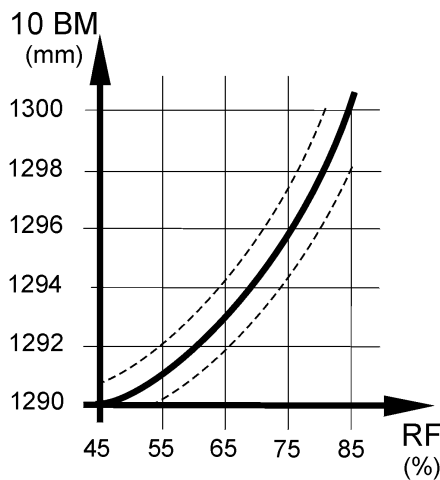


Fig. 3

1.5 THE 10-BOARD RULE - AVOID STRESS AND GAPS

In order to minimize stress or gaps in the floor due to fluctuations in the climatic conditions within the building, floorboards must be laid according to a 10-board rule.

This indicates the measurement across 10 floorboards when laid and should be checked continuously during the installation and afterwards, see Fig. 2.

To keep the 10-board measurement (10 BM), it is recommended to use Junckers temporary spacers during installation of the floor. Spacers are delivered in a range of sizes to suit the expected relative humidity of the room.

The 10-board measurement is chosen on the basis of the expected maximum relative humidity in the building when in use throughout the year, see fig. 3

The graph in fig. 3 illustrates the 10-board rule in relation to the relative air humidity for 129 mm wide floorboards. E.g. an expected relative humidity of max. 65 % RH will normally require a 10-board measurement of approx. 1294 mm.

The outer limits of the 10-board measurement, which also depend on the floor size, are marked with dotted lines.

The size of the floor, as well as its location, i.e. ground floor or floor horizontal division, may also have influence on the choice of the 10-board measurement.

For further information please contact Junckers technical service department.

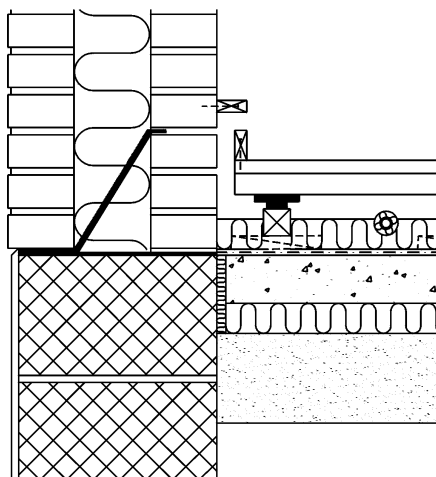


Fig. 4

1.6 THERMAL INSULATION AND PIPES IN THE SUBFLOOR

The batten system provides good opportunity to incorporate thermal insulation.

There must be sufficient ventilation between the underneath of the floor boards and the insulation. This to prevent fungal attacks in the flooring construction.

All central heating, cold and hot-water pipes under floors must be carefully insulated using at least 20 mm mineral wool or similar.

It must be ensured that there is a sufficient space between underneath of the floor board/batten and the pipe insulation to allow for unimpeded vertical movement of the floor, see Fig. 4.

1.7 MOISTURE PROTECTION

Concrete subfloors

The residual moisture contained in the concrete or screed must not exceed 90 % RH.

(In UK: Concrete moisture max. 75 % RH acc. to BS 8201)

At ground level and other upper levels, protection against moisture both from within the building and from the ground is required.

A moisture barrier is established by laying a damp-proof membrane, 0.20 mm PE membrane or 1000 g polythene, e.g. Junckers SylvaThene moisture barrier, directly on the concrete before laying out the battens, **see Fig. 4 (dotted line)**.

Wooden subfloors

For renovation projects where new floor systems are laid on existing wooden subfloors, it must be ensured that the entire structure has been designed to the correct specifications regarding moisture.

Usually, no additional moisture protection must be applied on top of the existing sports floor, as this may course the risk of fungal attacks in the subconstruction.

1.8 VENTILATION OF THE SUBFLOOR

In general, batten sports floor systems should be installed using skirtings with ventilation slots, to ensure adequate ventilation of the substructure. Moreover, to minimize the consequences of environmental fluctuations in the building as much as possible, the same climate should be maintained both above and below the floor surface.

The expected relative humidity range will usually be complied with through natural ventilation via the aforementioned ventilation slots. By natural ventilation we mean the air flow will be as a consequence of movement of the floor surface during normal sports activities.

In all circumstances it is important that the ventilation slots at the walls be retained and that the moisture-protection instructions are observed, see Moisture protection.

1.9 NET CONSUMPTION OF MATERIALS

Net consumption for 1000 m² (Length x width = 40 x 25 m) UnoBat 62+ batten system:

Floor boards: 1000 m² + approx. 2 %

J-nails, 2,2 x 45 mm: By c/c 336 mm: 25.000 pcs. By c/c 411 mm: 20.000 pcs.

UnoBat 62+ battens: By c/c 336 mm: 2950 rnm + 2 % wastage. By c/c 411 mm: 2450 rnm + 2 % wastage

Gable battens: 50 rm

Exstra J-Lock shock pads: 100 pcs.

J-Lock adjustable wedge eller J-Lock cradle:

c/c 336 mm: 7500 pcs / 7.5 pcs/m²

c/c 411 mm: 6500 pcs. / 6.5 pcs/m²

Duowedges: 320 pcs. (c/c 336/411 mm)

Loose tongue: Approx. 70 pcs. (5 bags)

Junckers SylvaThene moisture barrier: Min. 0,20 mm PE-foil: 1100 m² overlap included.

Junckers Sylvafix header joint adhesive: 3 bottles of 0,75 litre

2. INSTALLATION INSTRUCTIONS

WHEN TO START INSTALLATION

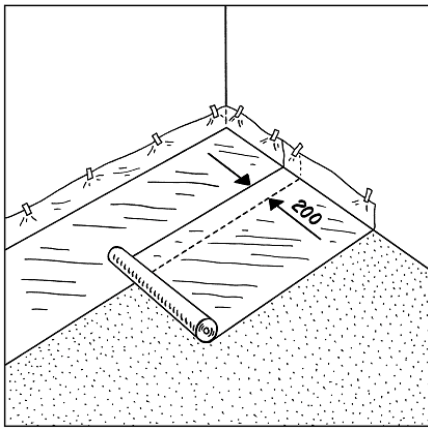
The building must be weather tight. The heating system must be installed and tested, and during the heating season there should be a constant heat supply.

Cast concrete elements, including casting of sockets for fixtures and fittings, screeding and other wet trades which can contribute moisture to the building, e.g. priming of paintwork, must also be completed.

The relative humidity in the building must be between 35-65 % RH (UK) and the temperature approx. 16-20 °C.

The residual moisture contained in the concrete or screed must not exceed 90 % RH. (UK: 75 % acc. To BS 8201). In wooden based sub floors the moisture content should not exceed 12 %.

Solid floor boards should always be laid immediately after arrival at the building. The wrapping of the floor boards must not be removed until just prior to laying the floor, i.e. no acclimatising of the boards on site must take place.



2.1 MOISTURE BARRIER

On sub floors of concrete a moisture barrier of min. 0.20 mm PE membrane is laid, e.g. Junckers SylvaThene moisture barrier.

The moisture barrier is laid with an overlap of 200 mm at all joints, continuing up walls, etc.

The polythene has to be taped at all lap joints.

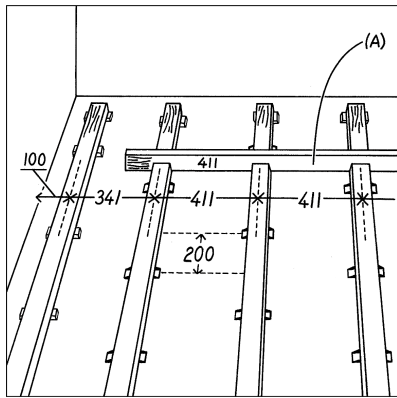
2.2 EXPANSION GAPS AT WALLS AND FIXED OBJECTS

The minimum expansion gap at walls and fixed objects must be 30 mm in order to allow for movement of the floor, but also to provide for ventilation of the substructure. In the case of especially wide spans it may be necessary for a gap of more than 30 mm to be formed.

This is calculated at 1.5 mm per m width at each side and 1mm per m length at each end of the floor.

For floors less than 10 m wide the minimum expansion gap size can be reduced to 15 mm.

The gap between wall and floor is covered with Junckers combi sports skirting.



2.3 SUBCONSTRUCTION, BATTEN CENTRES 411 MM

The battens are laid parallel to the shortest side of the room to ensure that the boards are laid parallel to the longest side of the room.

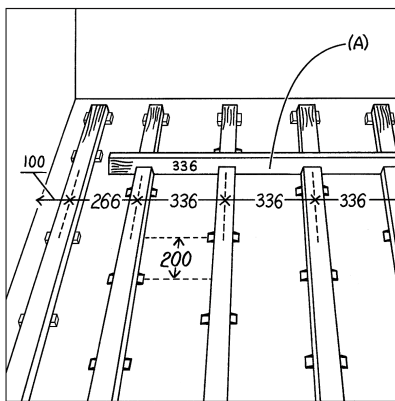
Before laying out the battens, the enclosed J-Lock Wedges or J-Lock elements are clipped on to the shock pads.

The first and last rows of battens are laid with a distance of 100 mm from the wall to the centre of the batten (Note that these are special battens called Gable Battens, without shock pads, and marked with red tape on the bundles).

The second batten row is centred at 341 mm to the first batten row.

All other batten rows are centred at 411.1 mm (board length 3700/9 battens) by using the Spacing Battens ((A) marked with black tape on the bundles).

Shock pads on battens are staggered in a line 200 mm from the adjacent row. Batten end joints should not be in line, but must be staggered min. 600 mm from the neighbouring row.



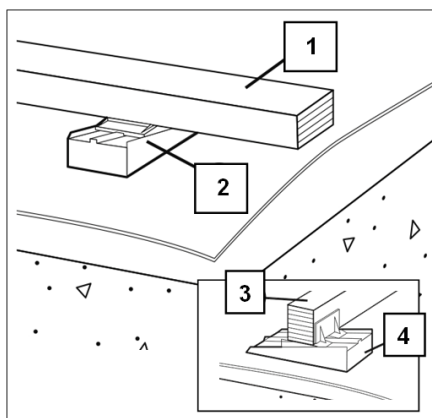
2.4 SUBCONSTRUCTION, BATTEN CENTRES 336 MM

Except for the batten centres, the battens are laid according to the instructions in section 2.

The first and last rows of battens are laid with a distance of 100 mm from the wall to the centre of the batten.

The second batten row is centred at 266 mm to the first batten row.

All other batten rows are centred at 336.4 mm (board length 3700/11 battens) by using the Spacing Battens ((A) marked with black tape on the bundles).



2.5 LEVELLING THE SUBCONSTRUCTION

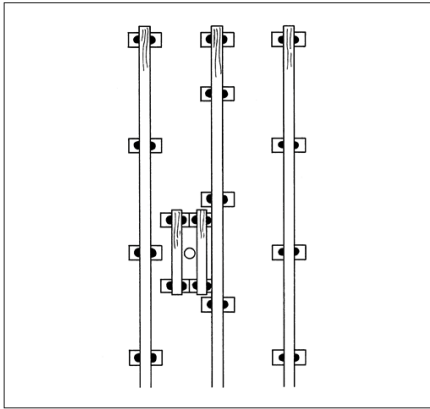
Battens (1) are levelled using the J-Lock Wedges (2).

Gable Battens (3) are levelled using DuoWedges (4).

Extra wedges are mounted in each end of the batten rows, where the last batten is fitted by the wall.

On a subfloor levelled to a tolerance of no more than a 2 mm gap showing under a 1.5 m straight edge (UK: 3 mm under a 2 m straight edge) the substructure can be laid without levelling, see also specifier's information section 4.

Above mentioned wedges can be used either alone or in combination with bases (available in 20, 30, 40 and 50 mm), to achieve the right floor level/height. Use no more than 2 bases under each wedge.



2.6 BATTENS AT NET POSTS, PIPES ETC.

Place extra loose battens at net posts, pipes, etc. Loose battens must be elastic.

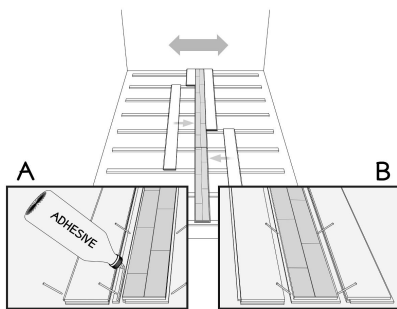
Distance to all walls, net posts, pipes, etc, see section 2.2.

Squash:

If the floor is used as a squash court permanent spacing blocks at 500 mm centres are attached between the first batten row and the wall where the playing is performed.

2.7 LAYING FLOORBOARDS

If the floor is more than 12 m wide the installation must begin in the middle of the sports hall. Use one of the following two methods:



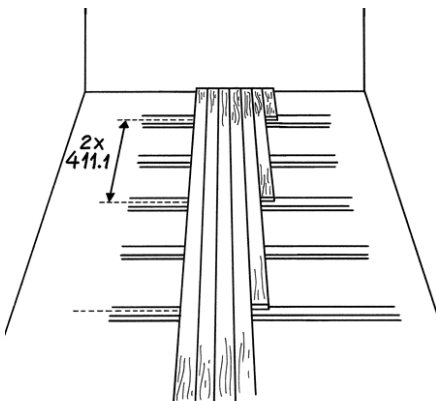
- A. The two centre floorboards are joined with a loose tongue which must be glued to one of the floorboards in the full length of the floorboard.
- B. Use Junckers CenterRow boards. These floorboards are constructed with a tongue on both sides.

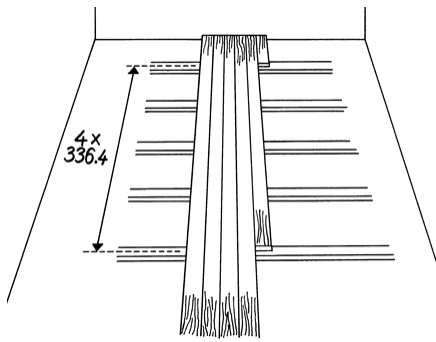
The floorboards must be laid in a continuous pattern with well-defined distribution of board header joints from row to row of 2 x the batten centres, i.e. 822.2 mm with c/c 411.1 mm, or 4 x the batten centres, i.e. 1345.6 mm with c/c 336.4 mm. In that way that all board header joints are supported. The floorboards are secretly nailed, see section 2.10.

2.8 DISTANCE, BOARD HEADER JOINTS - C/C 411 MM

All board header joints must be fully supported and, depending on the batten centres (336 or 411 mm) all boards must be laid in the pattern shown in the drawing.

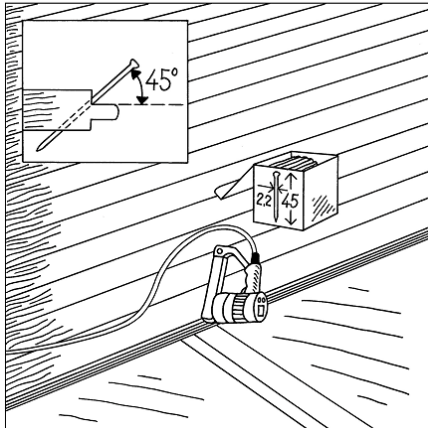
If the batten centres is 411.1 mm, the distance between board header joints in two consecutive rows must be 2 x 411.1 mm = 822.2 mm, as shown in the drawing.





2.9 DISTANCE, BOARD HEADER JOINTS - C/C 336 MM

If the batten centres is 336.4 mm, the distance between board header joints in two consecutive rows must be 4 x 336.4 mm = 1345.6 mm, as shown in the drawing.



2.10 NAILING

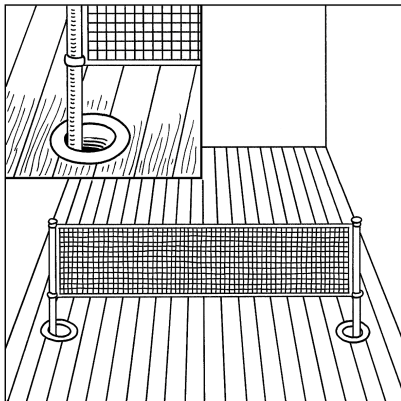
Use Junckers machine J-Nails, 2.2 x 45 mm. The floor boards are secretly nailed at an angle of 45°. Do not nail closer than 50 mm to stave joints and never in the board end joints.

To avoid creaking, the floor boards are pressed down on the battens while they are nailed.

The distance between the floor boards and walls/vertical fixed installations is calculated as 1.5 mm per running metre of floor width on each side, and at end walls 1 mm per running metre of floor length, with an overall distance of minimum 30 mm.

The first and last rows of floor boards installed must be face nailed or screwed and then covered with matching filler.

TO AVOID STRESS AND GAPS, REMEMBER DURING THE INSTALLATION TO WATCH THE FIXED 10-BOARD MEASUREMENT.

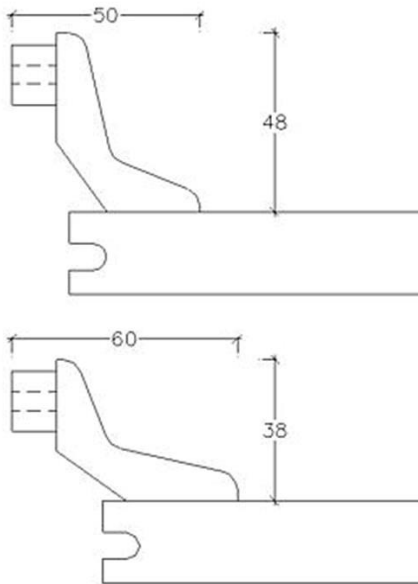


2.11 BUSHINGS

On mounting of bushings in the surface of the floor the internal diameter of the bushing must exceed that of the pipe, i.e. the external diameter of the net pole, by at least 40 mm.

At the outermost zones of the floor all bushings are mounted eccentrically towards the middle of the floor in relation to the sockets in the concrete, **see small drawing**.

Floor rosettes must be mounted to allow both vertical and horizontal movement of the floor to take place unimpeded.



2.12 COMBI SPORTS SKIRTING

Junckers Combi Sports skirting can depending on the wanted cover width be mounted upright or in a lying position, see figure.

The foot of the skirting must lie flat and be in contact with the floor. End joints may be either butt jointed together or cut as a 45° mitre joint to enhance the visual effect of the joint.

The skirting can be either glue fixed to the walls or screw fixed.

Do not fix the skirting to the floor and ensure that the skirting is not exerting any downward pressure on the floor.